

## Important notice

Dear Customer,

On 7 February 2017 the former NXP Standard Product business became a new company with the tradename **Nexperia**. Nexperia is an industry leading supplier of Discrete, Logic and PowerMOS semiconductors with its focus on the automotive, industrial, computing, consumer and wearable application markets

In data sheets and application notes which still contain NXP or Philips Semiconductors references, use the references to Nexperia, as shown below.

Instead of <http://www.nxp.com>, <http://www.philips.com/> or <http://www.semiconductors.philips.com/>, use <http://www.nexperia.com>

Instead of [sales.addresses@www.nxp.com](mailto:sales.addresses@www.nxp.com) or [sales.addresses@www.semiconductors.philips.com](mailto:sales.addresses@www.semiconductors.philips.com), use [salesaddresses@nexperia.com](mailto:salesaddresses@nexperia.com) (email)

Replace the copyright notice at the bottom of each page or elsewhere in the document, depending on the version, as shown below:

- © NXP N.V. (year). All rights reserved or © Koninklijke Philips Electronics N.V. (year). All rights reserved

Should be replaced with:

- © **Nexperia B.V. (year). All rights reserved.**

If you have any questions related to the data sheet, please contact our nearest sales office via e-mail or telephone (details via [salesaddresses@nexperia.com](mailto:salesaddresses@nexperia.com)). Thank you for your cooperation and understanding,

Kind regards,

Team Nexperia



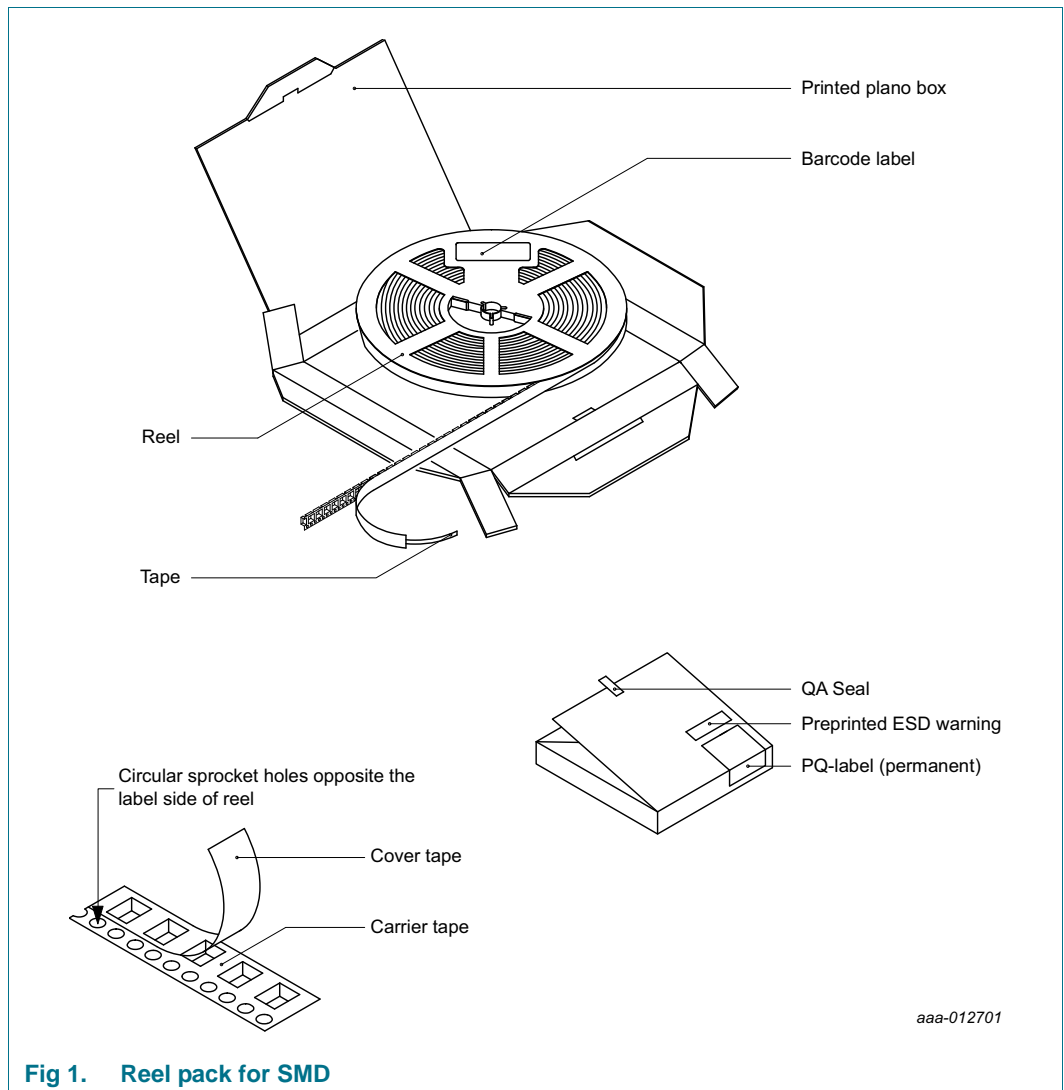
# SOT1216

DFN1010B-6; Reel pack, SMD, 7"  
Q2/T3 turned 90 degree product orientation  
Orderable part number ending ,147 or Z  
Ordering code (12NC) ending 147

Rev. 1 — 6 October 2015

Packing information

## 1. Packing method



DFN1010B-6; Reel pack, SMD, 7"  
 Q2/T3 turned 90 degree product orientation  
 Orderable part number ending ,147 or Z  
 Ordering code (12NC) ending 147

Table 1. Dimensions and quantities

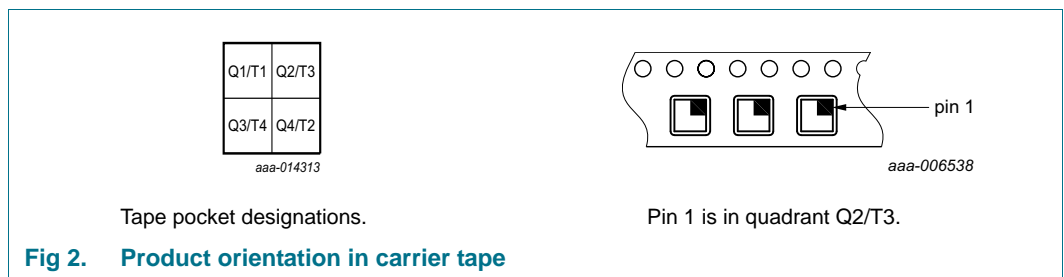
Reel dimensions d × w (mm) [1]	SPQ/PQ (pcs) [2]	Reels per box	Outer box dimensions l × w × h (mm)
180 × 8	5000	1	187 × 187 × 18

[1] d = reel diameter; w = tape width.

[2] Packing quantity dependent on specific product type.

View ordering and availability details at [NXP order portal](#), or contact your local NXP representative.

## 2. Product orientation



## 3. Carrier tape dimensions

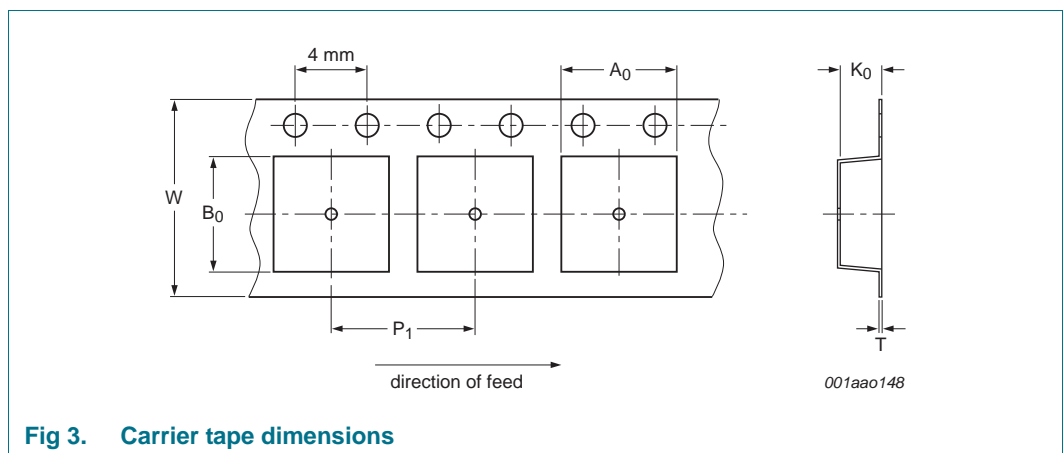


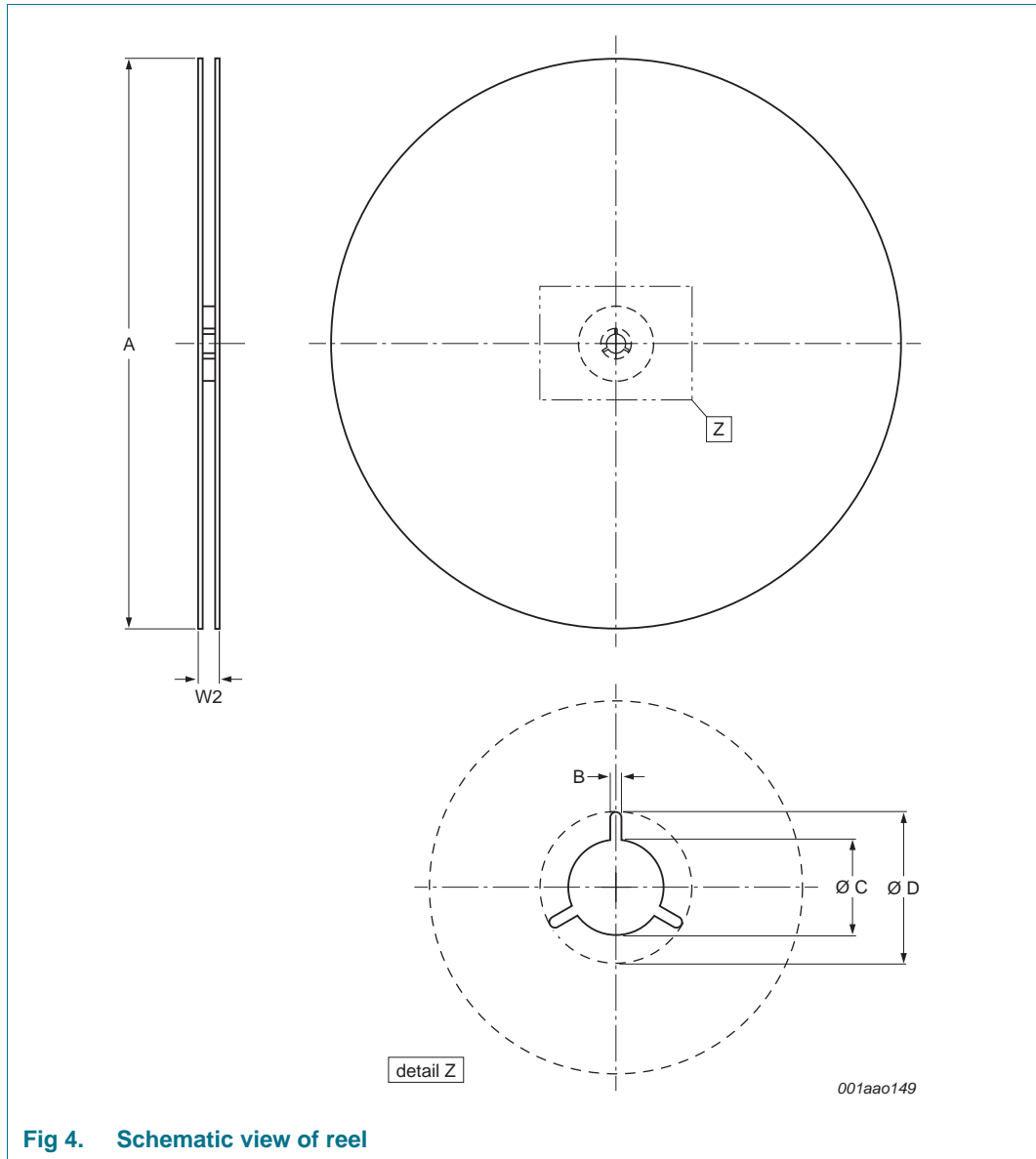
Table 2. Carrier tape dimensions

In accordance with IEC 60286-3.

A <sub>0</sub> (mm)	B <sub>0</sub> (mm)	K <sub>0</sub> (mm)	T (mm)	P <sub>1</sub> (mm)	W (mm)
1.22 ± 0.05	1.15 ± 0.05	0.50 ± 0.05	0.20 ± 0.05	4.00 ± 0.1	8 ± 0.1

DFN1010B-6; Reel pack, SMD, 7"  
 Q2/T3 turned 90 degree product orientation  
 Orderable part number ending ,147 or Z  
 Ordering code (12NC) ending 147

**4. Reel dimensions**



**Fig 4. Schematic view of reel**

**Table 3. Reel dimensions**  
 In accordance with IEC 60286-3.

A [nom] (mm)	W2 [max] (mm)	B [min] (mm)	C [min] (mm)	D [min] (mm)
180	14.4	1.5	12.8	20.2

DFN1010B-6; Reel pack, SMD, 7"  
 Q2/T3 turned 90 degree product orientation  
 Orderable part number ending ,147 or Z  
 Ordering code (12NC) ending 147

5. Barcode label

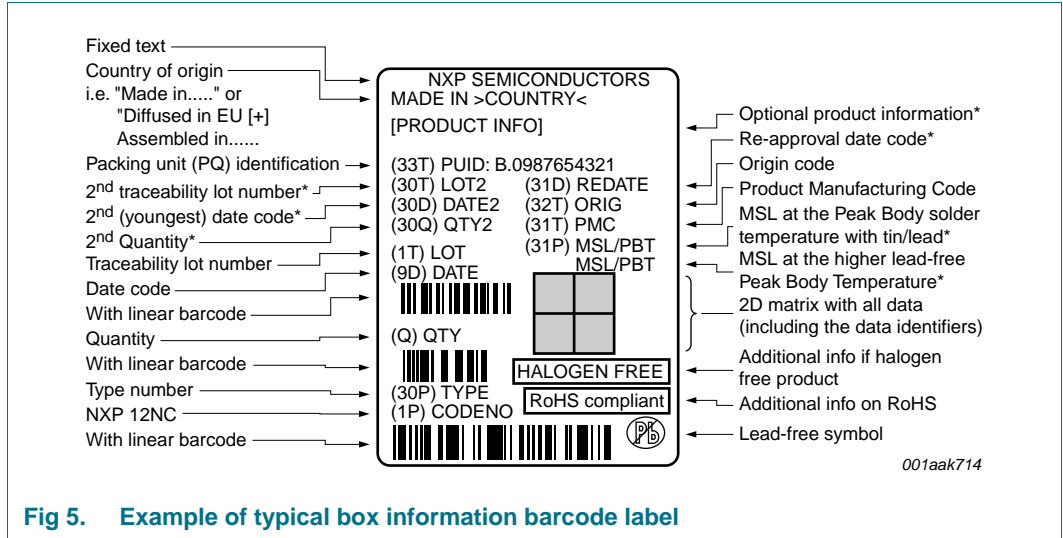


Table 4. Barcode label dimensions

Box barcode label l x w (mm)	Reel barcode label l x w (mm)
100 x 75	100 x 75



Table 5. Barcode label dimensions

Box barcode label l x w (mm)	Reel barcode label l x w (mm)
100 x 75	36 x 75

DFN1010B-6; Reel pack, SMD, 7"  
Q2/T3 turned 90 degree product orientation  
Orderable part number ending ,147 or Z  
Ordering code (12NC) ending 147

## 6. Revision history

Table 6. Revision history

Document ID	Release date	Packing document status	Change notice	Supersedes
SOT1216_147	20151006	Packing information	-	-

### Limited warranty and liability

Information in this document is believed to be accurate and reliable. However, NXP Semiconductors does not give any representations or warranties, expressed or implied, as to the accuracy or completeness of such information and shall have no liability for the consequences of use of such information.

© NXP Semiconductors N.V. 2015.

For more information, please visit: <http://www.nxp.com>  
For sales office addresses, please send an email to: [salesaddresses@nxp.com](mailto:salesaddresses@nxp.com)

All rights reserved.

Date of release: 6 October 2015  
Document identifier: SOT1216\_147